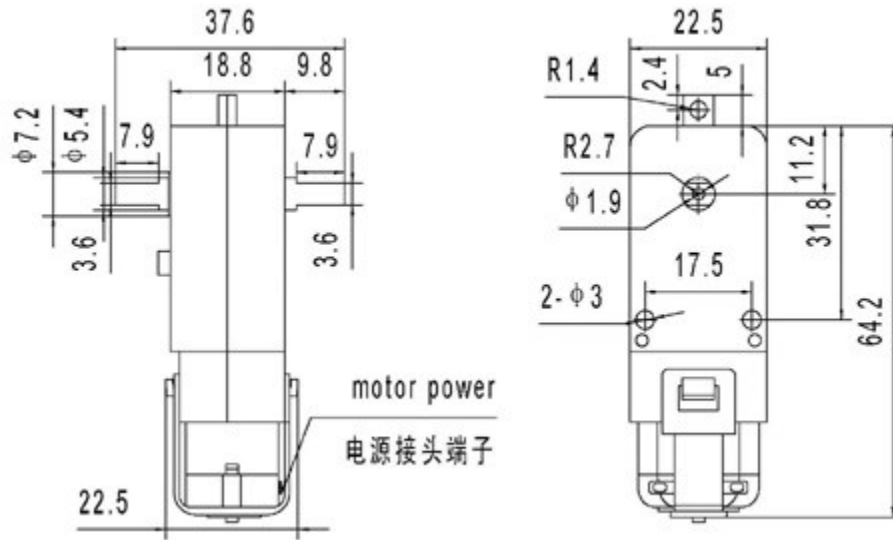
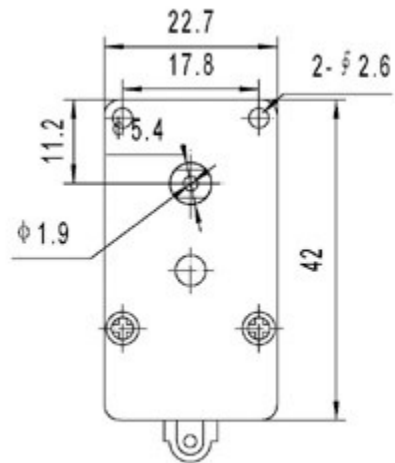
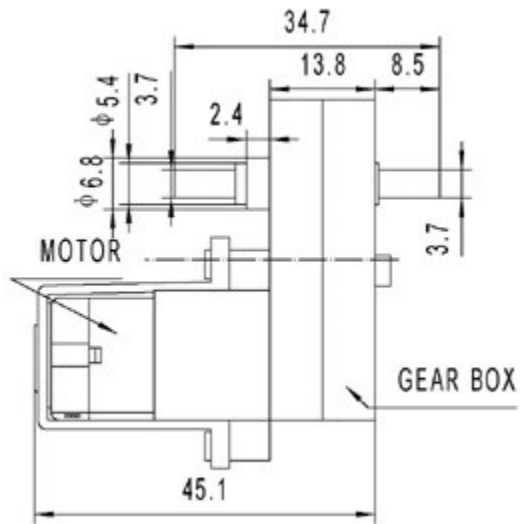


MODEL : TGP01D-A130 CLASS:GEAR MOTOR



MODEL	VOLTAGE		NO LOAD		AT MAXIMUM EFFICIENCY				STALL			
	OPERATING RANGE	NOMINAL V	SPEED r/min	CURRENT A	SPEED r/min	CURRENT A	TORQUE N.m	Kg.cm	OUTPUT w	TORQUE N.m	Kg.cm	CURRENT A
TGP01D-A130 (14150-120)	3.0-12.0	4.5	100	0.20	87	0.50	0.066	0.675	0.4	0.265	2.700	1.25

MODEL : TGP02D-A130 CLASS:GEAR MOTOR



MODEL	VOLTAGE		NO LOAD		AT MAXIMUM EFFICIENCY				STALL			
	OPERATING RANGE	NOMINAL	SPEED	CURRENT	SPEED	CURRENT	TORQUE		OUTPUT	TORQUE		CURRENT
		V	r/min	A	r/min	A	N.m	Kg.cm	w	N.m	Kg.cm	A
TGP02D-A130 (18100-220)	3.0-12.0	3.0	50	0.20	40	0.60	0.120	1.233	0.6	0.393	4.003	2.15